



# Accelero Hybrid II

## Welcome Guide



Dear Customer,

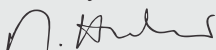
Thank you for choosing the Accelero Hybrid II.

Due to its patented back-plate design, the Accelero Hybrid II is the first multi-compatible liquid GPU cooler offering also excellent RAM and VR cooling and allows you to bring your graphics card back into original state without leaving a scratch or a mark anywhere.










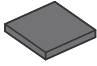



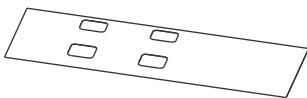
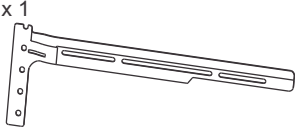
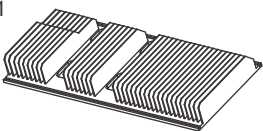
I hope you enjoy this GPU cooler and we at ARCTIC look forward to further enriching your life with our products. If you would like to share how you use ARCTIC's products please do so at <https://www.facebook.com/ARCTIC.en>

ARCTIC is a fully carbon neutral company and your support helps us to compensate every kilogram of CO<sub>2</sub> we produce. Thank You.





Sincerely,

  
Magnus Huber  
ARCTIC CEO

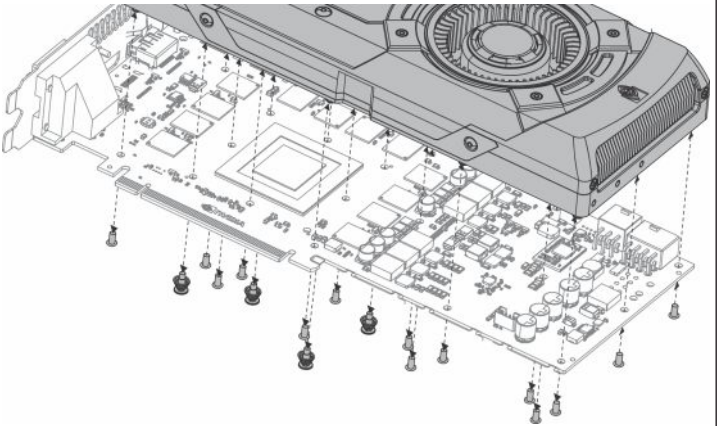
### Accessories

<b>A</b> Long Screws x 4 	<b>B</b> M3 Screws x 2 	<b>C</b> Spacers White (5.5mm) x 4 	<b>D</b> Screws x 3 
<b>E</b> Clips x 3 	<b>F</b> Clips x 3 	<b>G</b> Washers Black (0.3mm) x 4 	<b>H</b> Spacers White (2mm) x 4 
<b>I</b> Thermal Pads x 50 	<b>J</b> Foam Black x 1 	<b>K</b> Metal Washers x 4 	<b>L</b> Nuts x 4 
<b>M</b> MX-4 (0.8g) x 1 	<b>N</b> Protective Film x 1 		
<b>O</b> Graphics Card Holder x 1 	<b>P</b> Heatsink x1 		

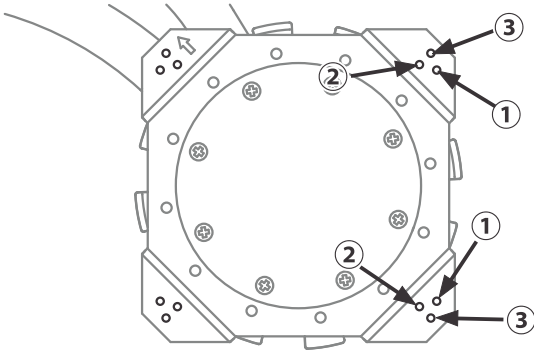
### Radiator Accessories

<b>Q</b> Screws x 4 	<b>R</b> Screws Black (8mm) x 4 	<b>S</b> Screws Black (5mm) x 4 	<b>T</b> Spacers Black (1.25mm) x 4 
---	--	--	--

## 1 Remove Stock Cooler



## 2 Choose the Correct Mounting Hole Size and Spacers

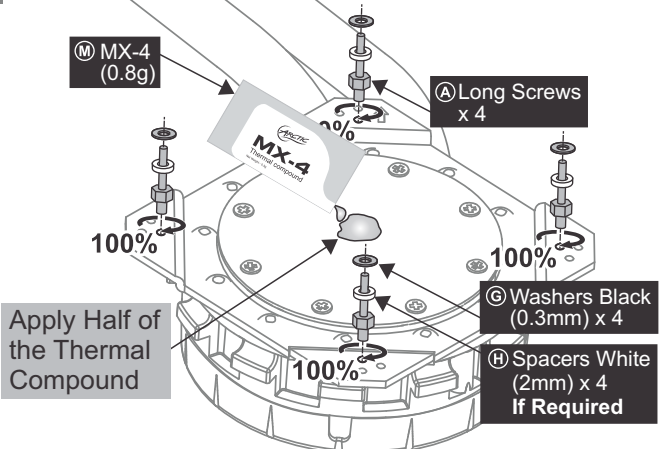


Mounting Hole (mm)	Appropriate Washers & Spacers	Compatible Models
① 51.0 x 61.0	Ⓜ 2mm Distanzstücke + ⓐ 0.3mm Unterlegscheiben	<b>NVIDIA</b> GeForce GTX 560 (Ti, SE), 550 Ti, 460 (SE)
② 53.2 x 53.2	ⓐ 0.3mm Unterlegscheiben	<b>NVIDIA</b> GeForce GTS 450 <b>AMD Radeon</b> R9 290(X), R9 285, 270(X), R7 265, HD 8870, 7870(XT,GHz), 7850, 6970, 6950, 6870, 6850, 6790, 5870, 5850, 5830, 4890, 4870, 4850, 4830, 3870, 3850, 3690
③ 58.4 x 58.4	ⓐ 0.3mm Unterlegscheiben	<b>NVIDIA</b> GeForce GTX 980, 970, Titan (Black), 780 (Ti), 770, 760(Ti), 680, 670, 660 (Ti), 650 (Ti boost)
	Ⓜ 2mm Distanzstücke + ⓐ 0.3mm Unterlegscheiben	<b>NVIDIA</b> GeForce GTX 580, 570, 480, 470, 465

Note: This table is for reference only. Please refer to your actual Graphics card holes position during installation.

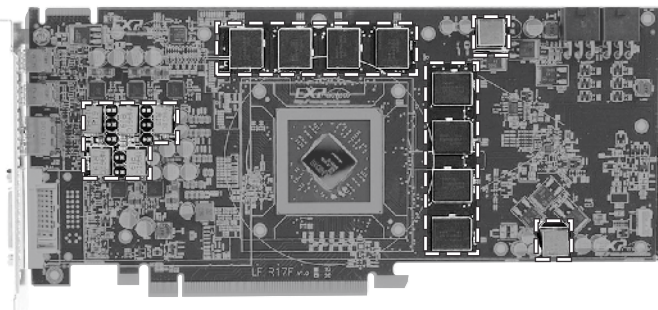
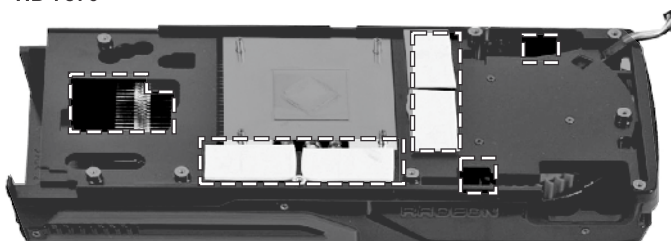
Updated information is available at [support.arctic.ac/H2-120](http://support.arctic.ac/H2-120) or [support.arctic.ac/H2-140](http://support.arctic.ac/H2-140)

## 3 Apply Thermal Compound and Fix Screws

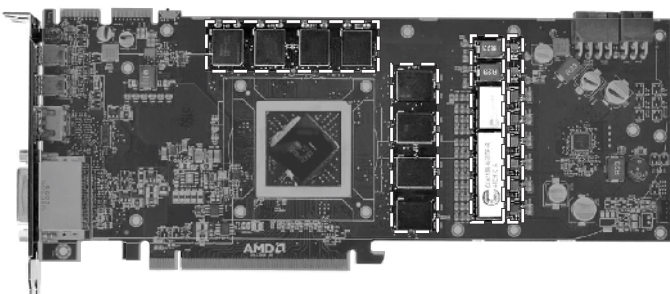
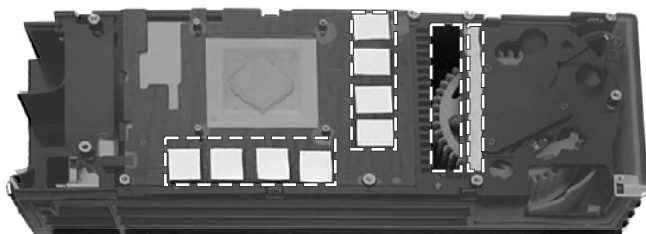


## 4 Locate Hot Component Areas

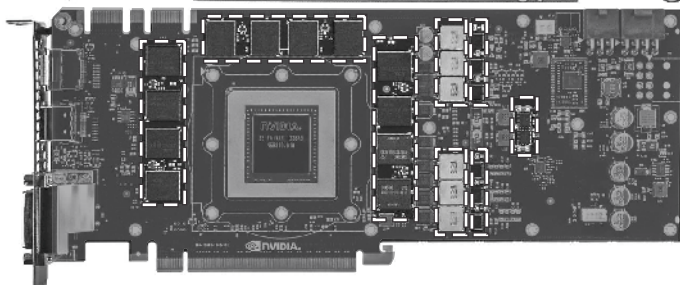
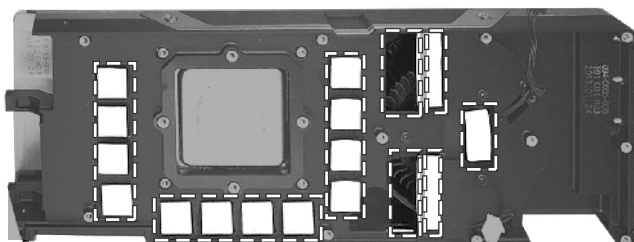
For Reference Only  
HD 7870



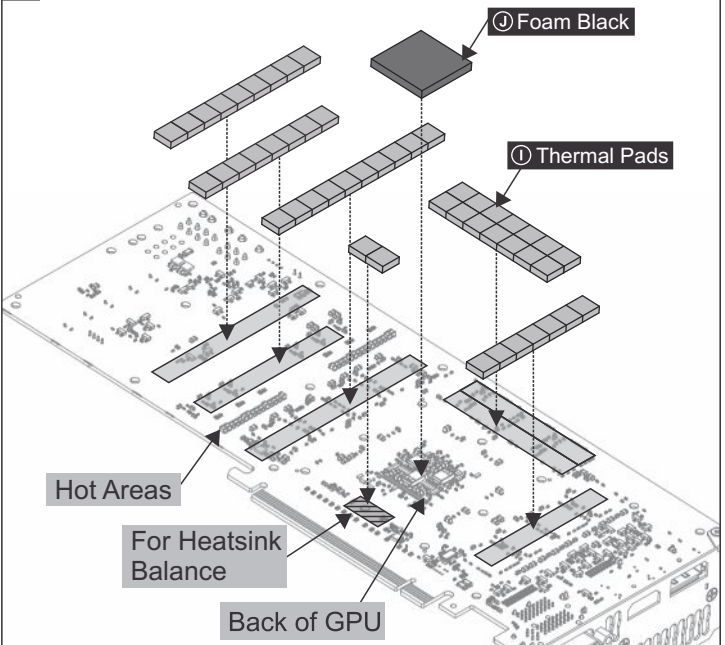
For Reference Only  
HD 6970



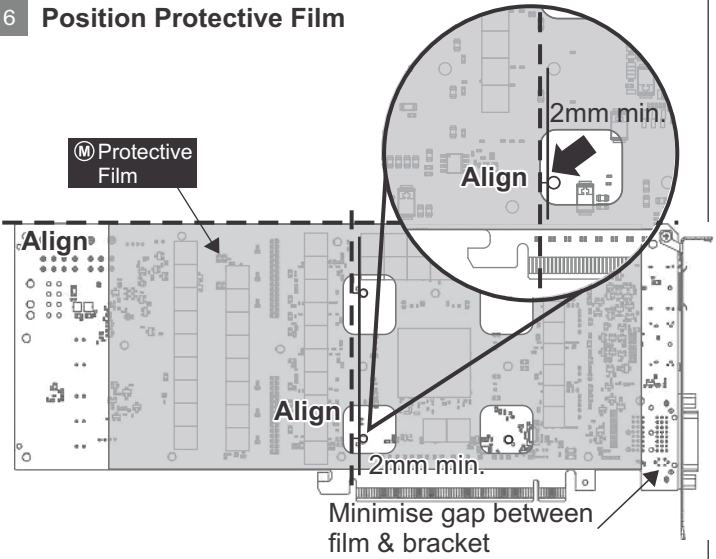
For Reference Only  
GTX 780



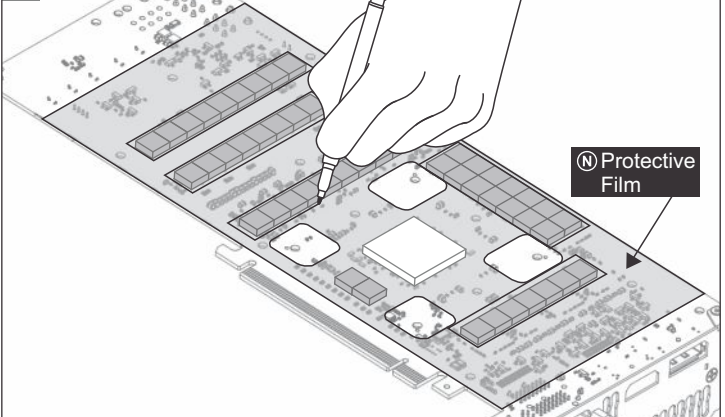
## 5 Install Thermal Pads on Hot Areas



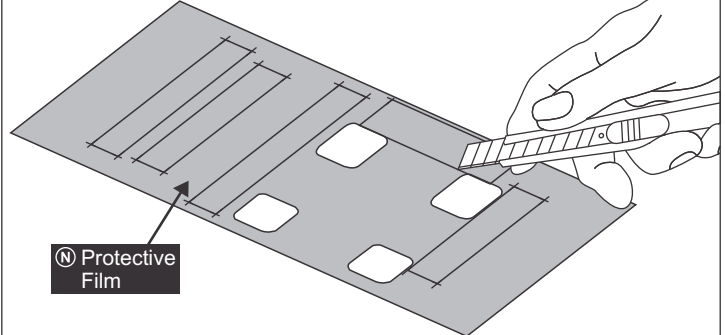
## 6 Position Protective Film



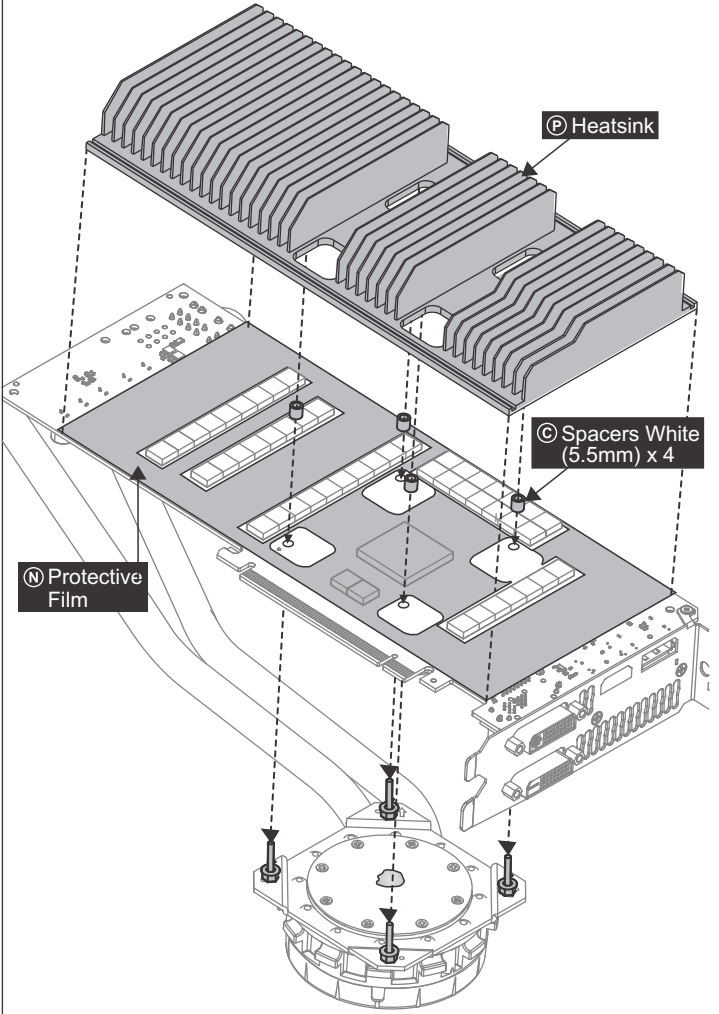
## 7 Mark Down Hot Areas



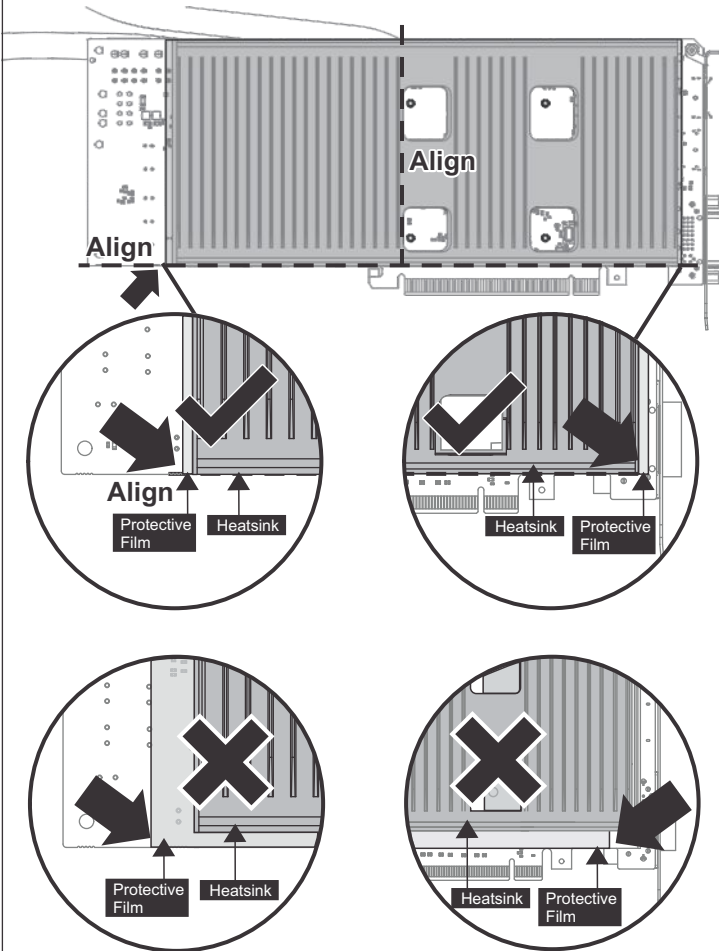
## 8 Cut Openings for Hot Areas



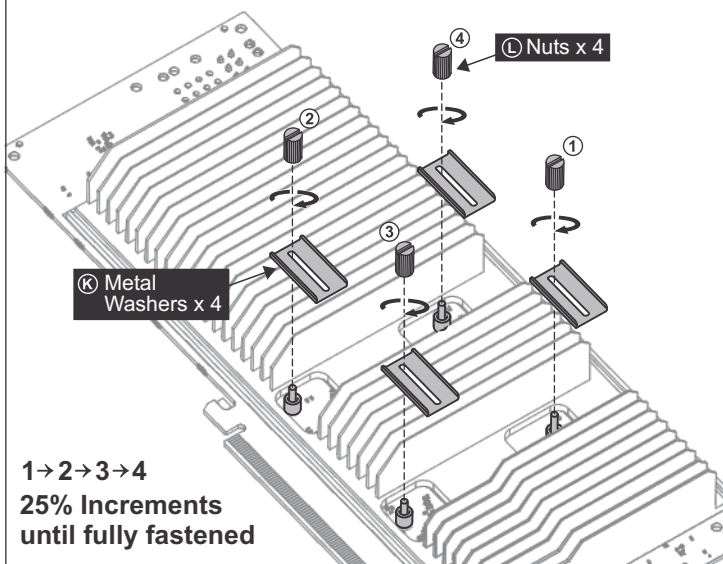
## 9 Assemble Heatsink and Pump



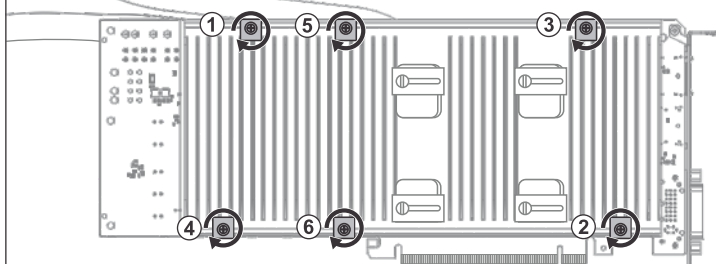
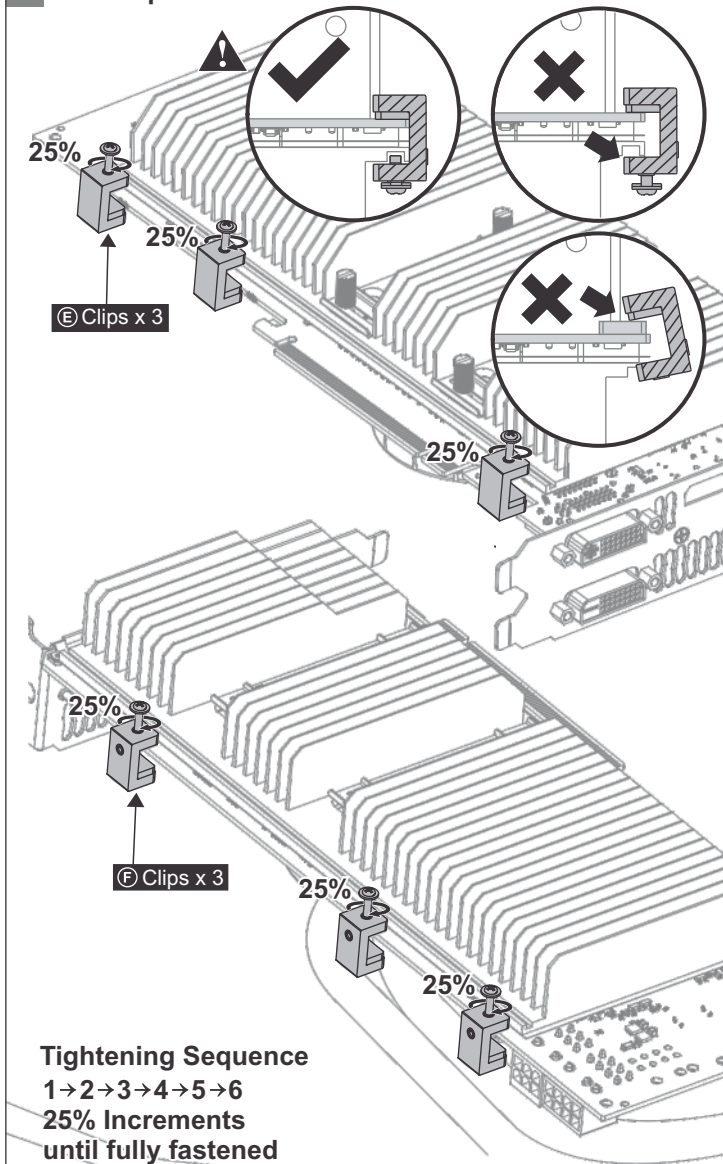
## 10 Verify Protective Film Alignment



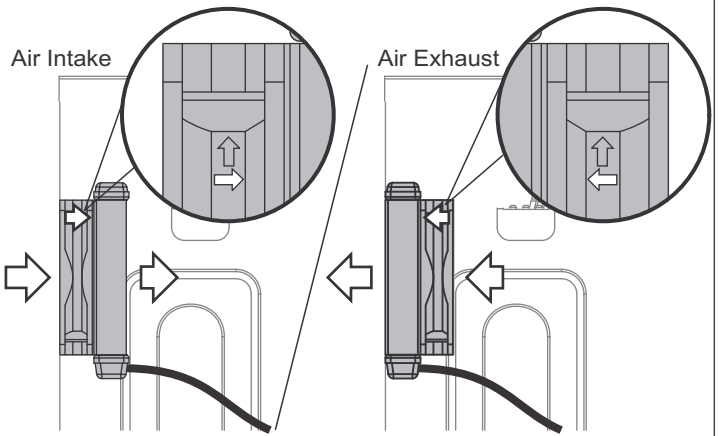
## 11 Secure with Screws



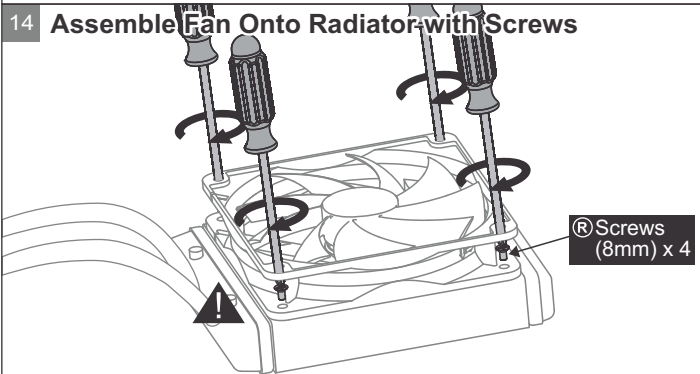
## 12 Add Clips



### 13 Choose Air Flow Direction

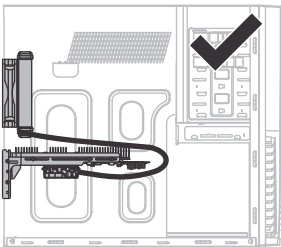


### 14 Assemble Fan Onto Radiator with Screws

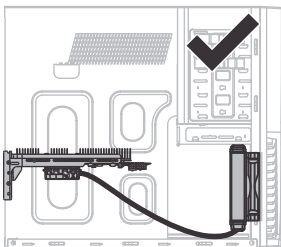


**!** If you are using the wrong screw, you may damage the radiator

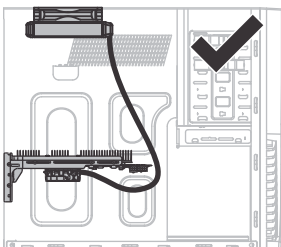
### 15 Choose Radiator Location



Your Accelero Hybrid is filled with water, some air bubbles are present in the circuit to allow it to work properly. During transportation, air bubbles might find their way to the water pump and while functioning create hissing or bubbling noise. These noise will disappear quickly as the air bubbles are pushed to the radiator part.

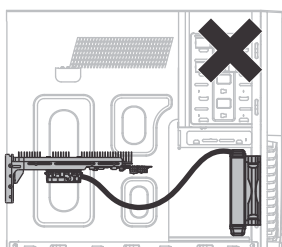
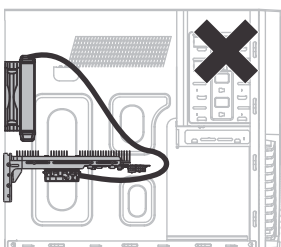


When installing the Accelero Hybrid, make sure that the radiator is located higher than the water pump. If any Hissing or bubbling noise, it will quickly disappear after running the cooler for few minutes.

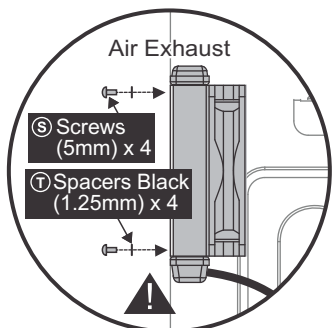
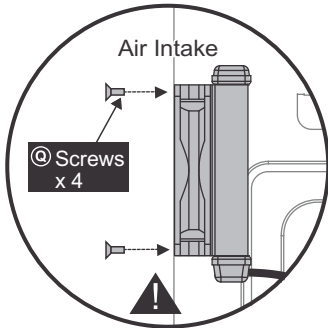


If your configuration requires to have the radiator located below the water pump, you need to ensure that the tubing part of the radiator is located at the bottom while installed. Hissing or Bubbling noise will take longer to disappear than if the radiator is above the card but will ultimately disappear.

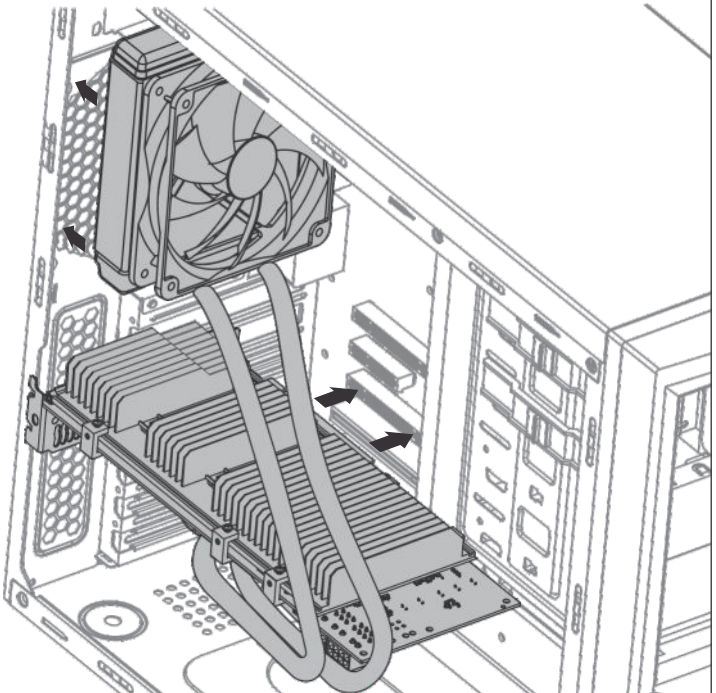
You can help the process by placing temporarily the radiator above the water pump and run the cooler until the noise disappears.



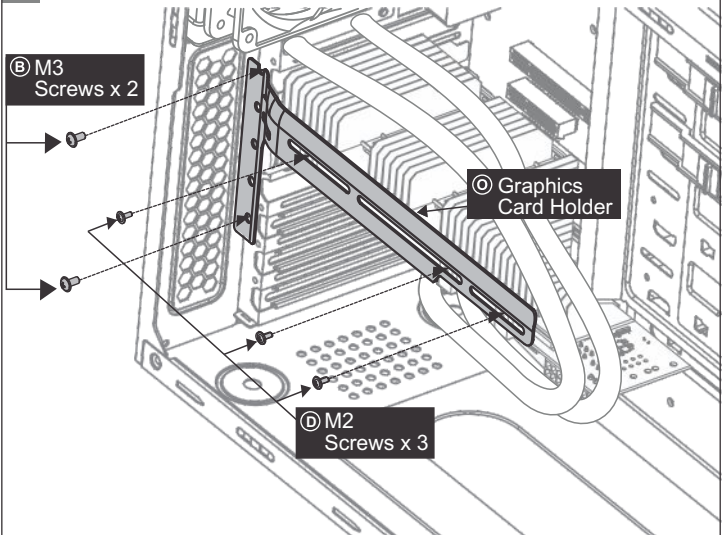
## 16 Secure Radiator in PC Case



! If you are using the wrong screw, you may damage the radiator



## 17 Install Graphics Card Holder



### Thermal Compound

If the cooler has to be installed a second time, we highly recommend using the MX-4 thermal compound from ARCTIC. Only this compound guarantees optimal performance in combination with the surface of our heatsinks.

### Warranty

This ARCTIC product includes a two-year limited warranty. For further information, please consult [warranty.arctic.ac](http://warranty.arctic.ac)



© 2014 ARCTIC Switzerland AG. All Rights Reserved.

No part of this manual including the products described in it, may be reproduced, transmitted, stored in a retrieval system, or translated into any language in any form or by any means, except documentation kept by the purchaser for backup purpose, without the express written permission of ARCTIC Switzerland AG. In no event shall ARCTIC its directors or employees be liable for any indirect damages, incidental or consequential damages arising from any defect or error in this manual or product.