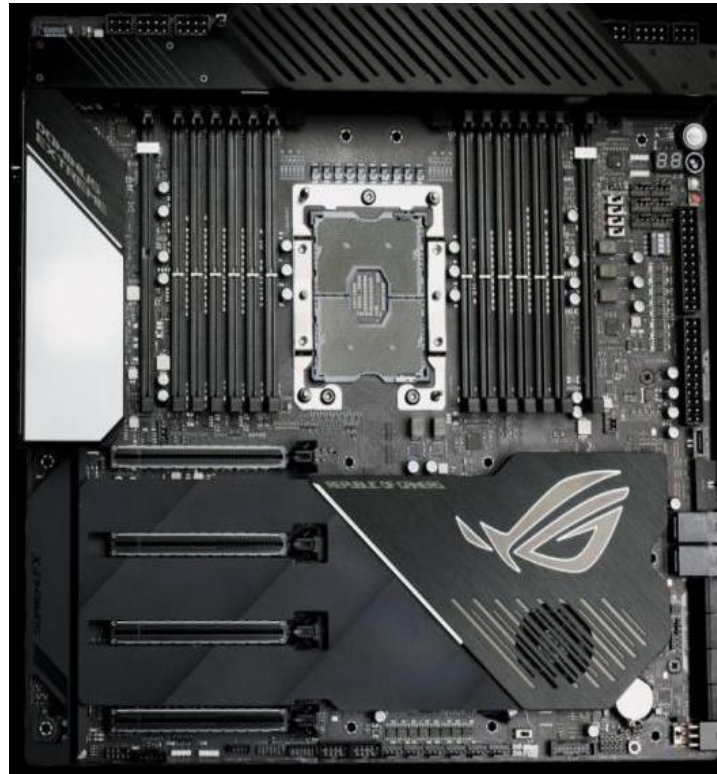




This product is intended for installation only by expert users. Please consult with a qualified technician for installation. Improper installation may result in damage to your equipment. EK Water Blocks assumes no liability whatsoever, expressed or implied, for the use of these products, nor their installation. The following instructions are subject to change without notice. Please visit our web site at for updates. Before installation of this product please read important notice, disclosure and warranty conditions printed on the back of the box or our home page.

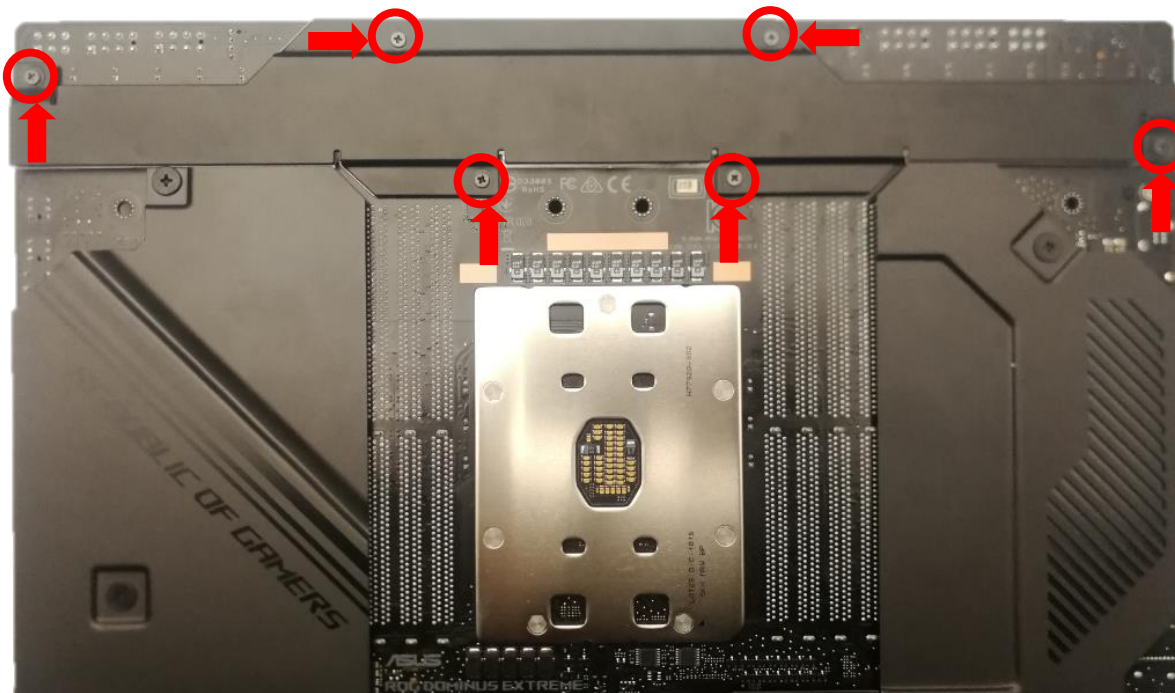
The barb hose fittings require only a small amount of force to screw them in; otherwise the high flow fittings might break. These fittings do not need to be tightened with much force because the liquid seal is made using o-rings. The use of corrosion inhibitors or quality premix coolants is always strongly recommended for any liquid cooling system.

STEP 1: GENERAL INFORMATION. Sample picture of ASUS ROG Dominus Extreme motherboard.



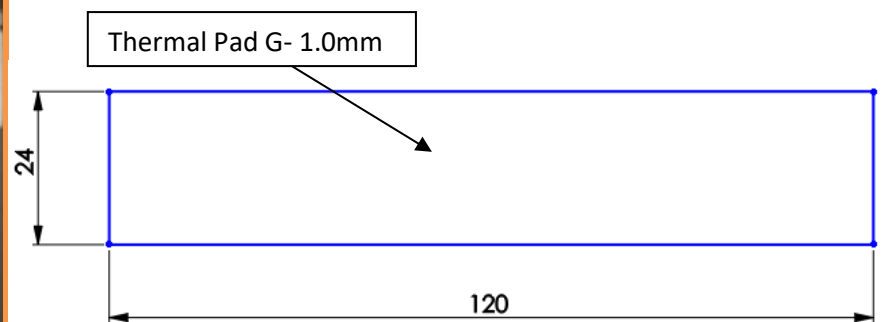
STEP 2: PREPARING YOUR MOTHERBOARD

REMOVING STOCK COOLER AND BACKPLATE: Remove all marked screws and take off backplate and stock cooler. Please save Backplate and the screws for further installation!



THERMAL PADS. Your water block comes with thermal pads. (G - 1.0mm)
PLEASE REMOVE THE PROTECTIVE FOIL FROM BOTH SIDES OF THE THERMAL PADS PRIOR TO INSTALLATION.

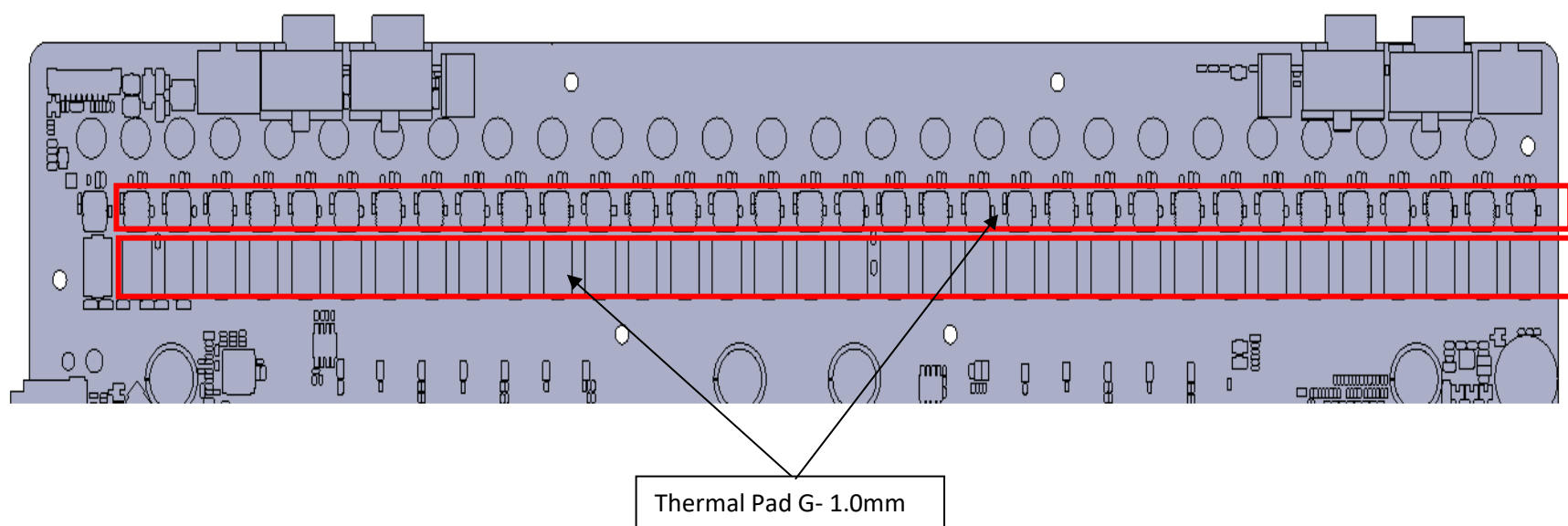
Replacement thermal pads:
Thermal Pad G – 1.0mm (120x24mm) – (EAN: 3830046996770)



STEP 3: PREPARING YOUR WATER BLOCK

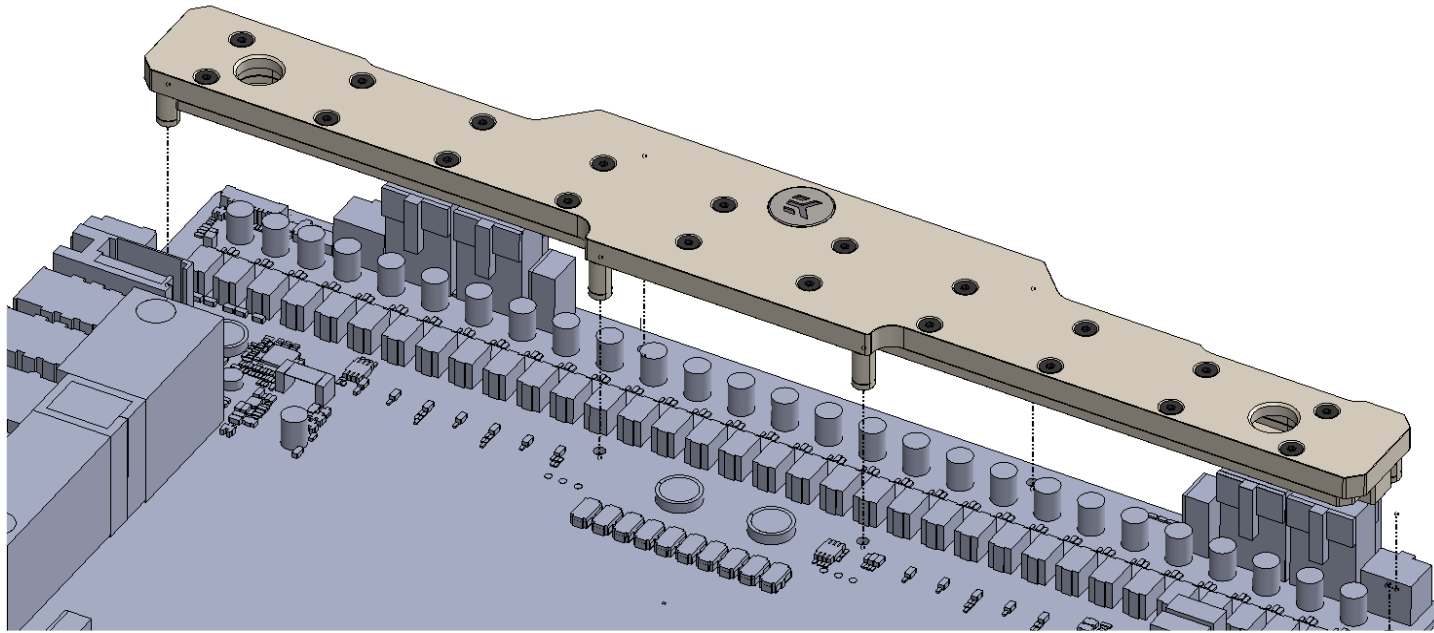
1. PLACING THERMAL PADS. Your block comes with thermal pads G (120x24mm).

Place thermal pads on the PCB as shown on the picture below. You will need a pair of scissors to tailor the thermal pads.



2. PLACING WATER BLOCK ON MOTHERBOARD.

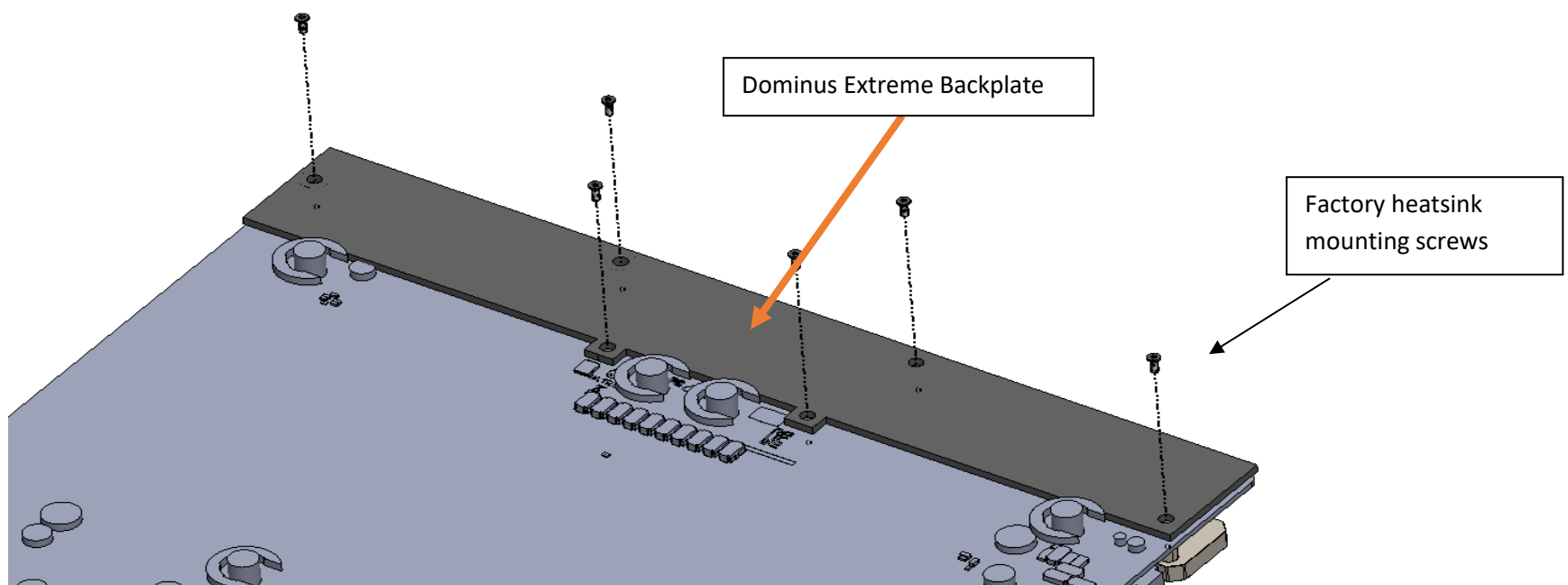
Place water block on the motherboard's circuit board as shown on picture below:



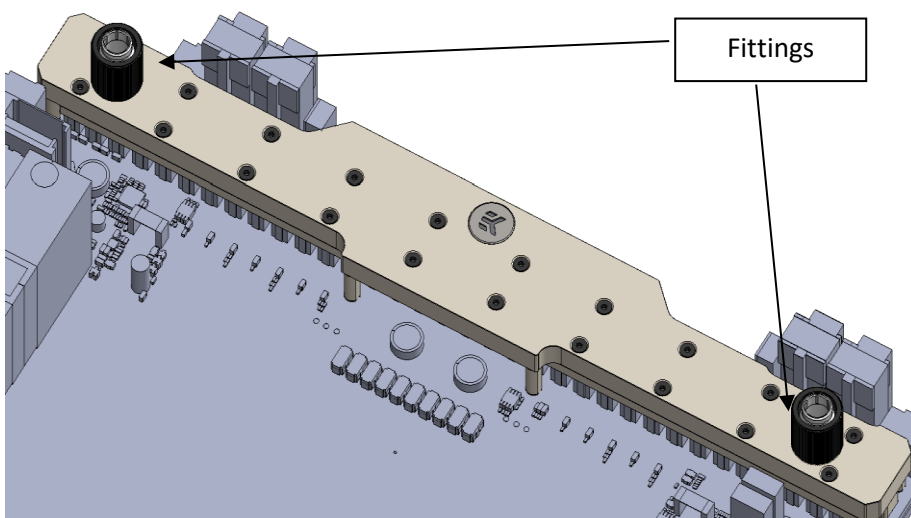
3. ATTACHING WATER BLOCK ON MOTHERBOARD. When water block is safely placed on motherboard, turn around the motherboard and put factory backplate back on. Make sure that all the thermal pads from the factory solution are present. Mounting holes must be aligned. Reuse the factory provided screws and tighten them evenly. If you lose them please find M2,5x8 AX1 screws enclosed. Do not use excessive force when tightening the screws!

In case you decide not to install Factory provided Backplate, you should use M2.5X5 AX1 screws along with PVC washers, which are packed in plastic bag. If the washers are already present there is no need to double them.

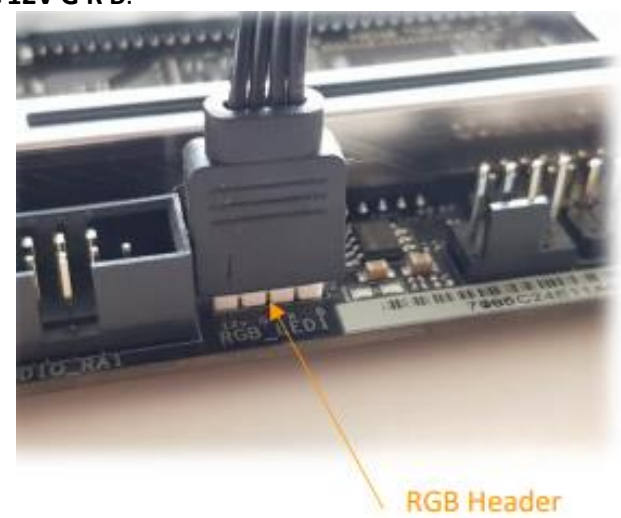
Caution: In this step please check the location of your RGB Header. Make sure you don't pinch the RGB LED cable during water block installation.



4. INSTALLATION OF FITTINGS AND TUBING. Screw in the two G1/4 threaded male fittings. Attach the liquid cooling tubes and connect the water-block into the cooling circuit. **EKWB recommends using EK ACF fittings.**



5. CONNECTING RGB LED STRIP: Plug the 4-pin connector from Water block's and Fan's RGB LED light to the RGB HEADER on the motherboard. The LED will work if the pin layout on the header is as follows: **+12V G R B.**



Box intentionally left blank

REQUIRED TOOLS:



scissors



philips screwdriver