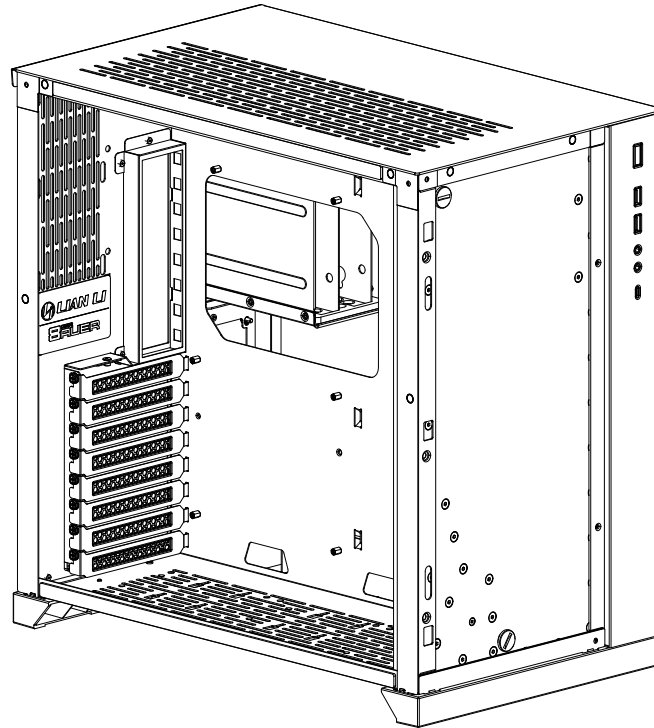


# EK-Classic DP Front PC-011D D-RGB + SPC PWM

DISTRIBUTION PLATE



Before you start using this product please follow these basic guidelines:

**Please carefully read the manual before beginning with the installation process!**

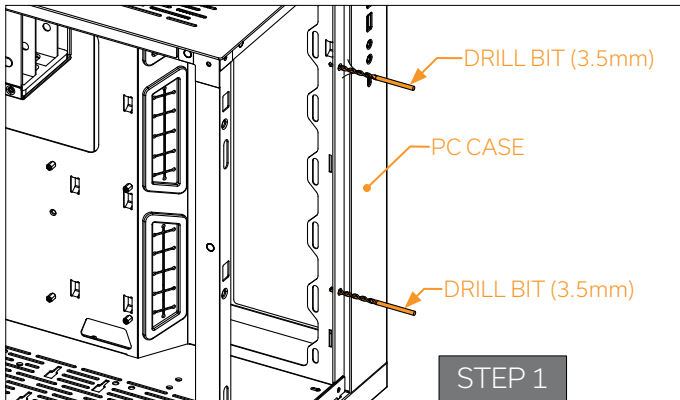
**The EK Fittings require only a small amount of force to screw them firmly in place since the liquid seal is ensured by the rubber O-ring gaskets.**

**The use of corrosion inhibiting coolants is always recommended for any liquid cooling system. EKWB recommends any of the EK Cryofuel for worry-free usage.**

# TABLE OF CONTENT

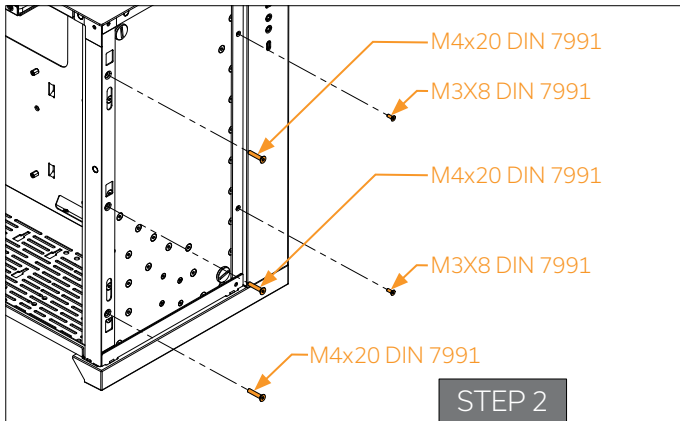
<b>INSTALLING THE DISTRIBUTION PLATE ON THE PC</b> .....	<b>4</b>
<b>RECOMMENDED DISTRIBUTION PLATE CONFIGURATION</b> .....	<b>5</b>
ATTACHING THE FITTINGS .....	5
<b>CONNECTING THE PUMP</b> .....	<b>6</b>
<b>TESTING THE LOOP</b> .....	<b>6</b>
<b>SUPPORT AND SERVICE</b> .....	<b>7</b>
<b>SOCIAL MEDIA</b> .....	<b>7</b>

## INSTALLING THE DISTRIBUTION PLATE ON THE PC



### STEP 1

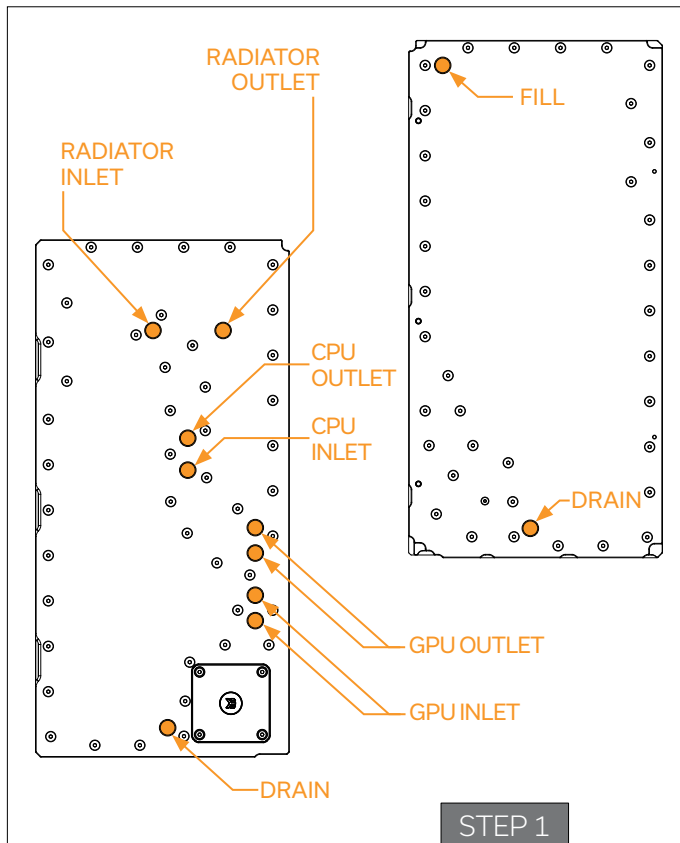
Before installing any components, drill out the original rivets using a 3.5mm drill bit.



### STEP 2

The following illustration shows the screws that you need to install a distribution plate on your computer.

## RECOMMENDED DISTRIBUTION PLATE CONFIGURATION



## ATTACHING THE FITTINGS

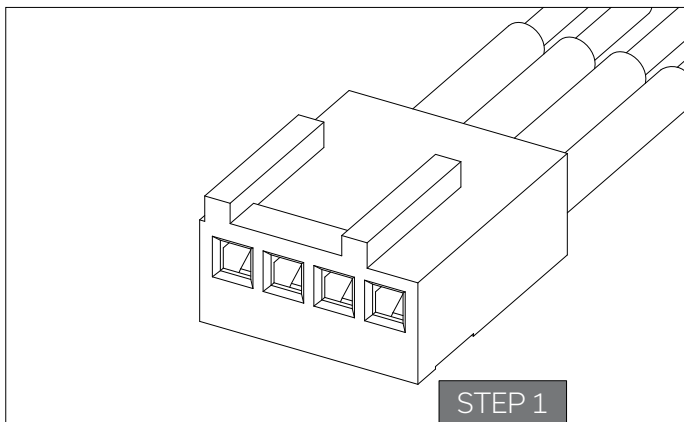
### STEP 1

To make the installation of the tubing with different motherboard configurations easier, there are multiple connection options for the GPU. One of the inlet and one of the outlet ports must be used.

All remaining and unused ports should be closed using the supplied plugs and a 6mm Allen key.

EK recommends EK Classic and EK-Torque series fittings.

## CONNECTING THE PUMP



### STEP 1

The EK-SPC Pump has one connector:

1. 4-pin PWM fan: It can be connected to your motherboard's CPU Fan or designated water pump header. It can also be connected to a controller. This cable is used to control and report the rotational speed of the pump. If it's not connected, the pump will run at maximum speed (100% PWM).

## TESTING THE LOOP

To make sure the installation of EK components was successful, we recommend you perform a leak test for 24 hours.

When your loop is complete and filled with coolant, connect the pump to a PSU outside of your system. Do not connect power to any of the other components. Turn on the PSU and let the pump run continuously. It is normal for the coolant level to drop during this process as air collects in the reservoir.

Inspect all parts of the loop, and in the eventuality that coolant leaks, fix the issue and repeat the testing process. Ensure that all hardware is dry before the system is powered on in order to prevent any damage.


## SUPPORT AND SERVICE

For assistance please contact:

<http://support.ekwb.com/>

EKWB d.o.o.  
Pod lipami 18  
1218 Komenda  
Slovenia - EU

## SOCIAL MEDIA

 EKWaterBlocks

 @EKWaterBlocks

 ekwaterblocks

 EKWBofficial

 ekwaterblocks

