



DARK BASE PRO 900

OUTSTANDING FLEXIBILITY AND SILENCE

IDEAL APPLICATIONS

High-end workstations and desktop PCs
 High-resolution gaming and multimedia systems
 Extremely overclocked systems
 Super silent water-cooled PCs

HIGHLIGHTS

Fully versatile thanks to modular construction
 Three be quiet! SilentWings® 3 PWM fans
 Ready for water cooling radiators up to 420mm
 Intelligent full circuit airflow system
 Wide range of features and high-quality materials

Outstanding Flexibility and Silence

The be quiet! Dark Base Pro 900 PC case is the perfect choice for all of those who expect the highest standards when it comes to modularity, compatibility and design.

Highlights »

- Fully versatile thanks to modular construction, offering an relocatable motherboard tray, repositionable HDD slots, support for even E-ATX and XL-ATX as well as the possibility of an inverse layout
- Three pre-installed SilentWings® 3 140mm PWM fans featuring a smooth-running 6-pole motor, fluid-dynamic bearing and funnel-shaped air inlets
- Advanced PWM hub and manual fan controller supports up to four PWM and four 3-pin fans
- Effective full circuit airflow system with innovative noise-reducing vents all around the case
- Completely sound insulated case with decoupled elements for motherboard tray, power supply and drives
- Four areas for water cooling radiators up to 420mm on top, front, back and base of the case
- Elegant, fully windowed side panel made of tinted and tempered glass
- Eye-catching LED illumination with five switchable colors that you can freely position in the case
- Integrated wireless charger for Qi enabled devices such as smart phones
- 3-year manufacturer's warranty
- Product conception, design and quality control in Germany

Dark Base Pro 900 »

be quiet! Dark Base Pro 900 offers unrivaled flexibility with impeccable cooling and silence features. Simply an engineering work of art!

+ NOISE INSULATION

+ AIRFLOW CONTROL

+ SILENT WINGS®

DARK BASE PRO 900

OUTSTANDING FLEXIBILITY AND SILENCE

Features »



MB-tray: The motherboard tray can be repositioned vertically, to suit individual space requirements, or installed alongside the left panel with redefined airflow. It is removable for use as a bench table.



SilentWings® 3: Three pre-installed virtually inaudible SilentWings® 3 PWM fans with unique fan blade design, rubberized fan frame and funnel-shaped air inlets provide excellent air circulation.



Side panel: Elegant full windowed side panel made of tinted and tempered glass. Eye-catching LED illumination with five switchable colors. The illumination can be freely positioned.



Front I/O port: Advanced PWM and manual fan controller supports up to four PWM and four 3-pin fans. 2x USB 3.0, 2x USB 2.0, HD audio jacks. Integrated wireless charger for Qi enabled devices, such as smart phones.

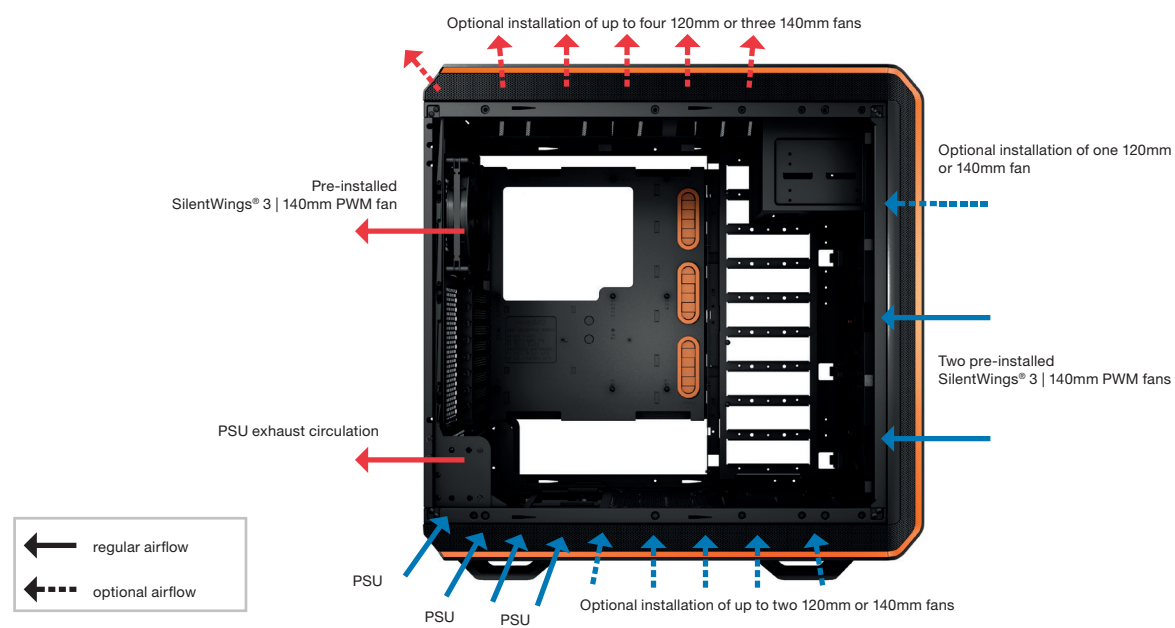


HDD slots: Flexible installation options thanks to repositionable single HDD slots. Support for up to 7 HDDs, 15 SSDs and 2 optical drives.



Full circuit airflow system: Innovative noise-reducing vents all around the case result in an effective full circuit airflow.

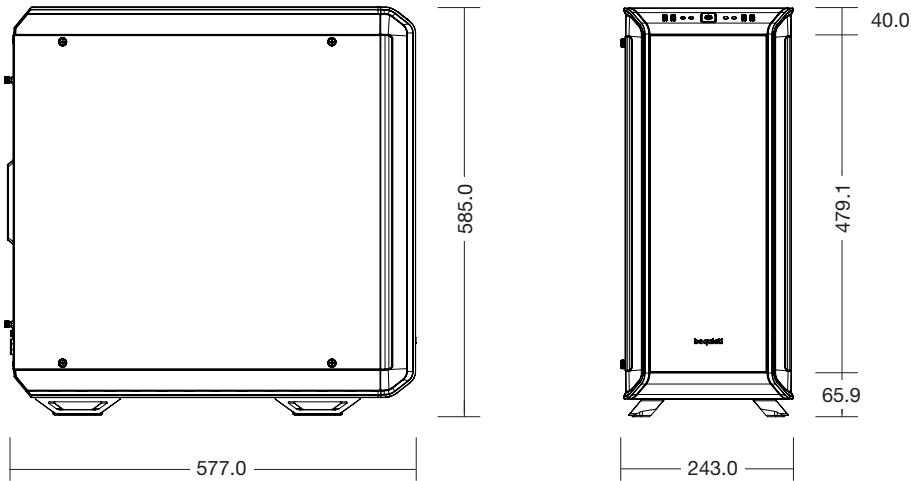
Airflow »



DARK BASE PRO 900

OUTSTANDING FLEXIBILITY AND SILENCE

Dimensions (mm) »



General Data Case »

Motherboard compatibility	E-ATX, XL-ATX, ATX, M-ATX, MINI-ITX
Form factor PSU	ATX
Case size (L x W x H in mm)	577 x 243 x 585
Material	0.8 - 1mm steel, ABS plastic, 0.8mm aluminium, 4mm tempered glass window
Weight incl. package / without package (kg)	16.5 / 14.4
I/O Panel	2x USB 3.0, 2x USB 2.0, HD Audio (mic + headphone jacks)
Expansion slots (pcs.)	8
Wireless charging (Qi)	✓
RGD LED illumination	✓

Drive Bay Capacity »

5.25	2 (removable)
3.5	7 (individually removable)
2.5	1 on motherboard tray 14 inside the HDD slots (removable)

Cooling System »

Pre-installed SilentWings® 3 PWM fans (mm/rpm)	Front: 2x 140 / 1,000 Rear: 1x 140 / 1,000
Optional fans (mm)	Top: 3x 140 / 4x 120 / 1x 180 Front: 1x 140, 120 (w/o ODD cage) Bottom: 2x 140, 120
Optional liquid cooling system (radiator in mm)	Top: 120, 140, 180*, 240, 280, 360, 420 Front: 120, 140, 240, 280, 360, 420 Rear: 120, 140 Bottom: 120, 140, 280
Cooling solutions	Air channels (top, front, side) Advanced PWM hub and manual fan controller (4x PWM, 4x 3-pin)

Maximum Dimensions (mm) »

CPU cooler	185
PSU (without bottom fan)	150 - 184
Graphics card (standard)	325
Graphics card (w/o HDD slots)	470

Insulation and Damping »

Sound insulation mats (top, front, side)	✓
Anti-vibration decoupled HDD / PSU / MB-tray	✓

Color Options »

Dark Base Pro 900	Art. no	EAN code
Orange	BGW10	4260052184943
Black	BGW11	4260052184950
Silver	BGW12	4260052184981

Certifications »



Contact »

Service Hotline: +49 40 7367 686 44
(Mondays to Fridays from 9:00am to 5:30pm CET)

Mail: service@bequiet.com

+ SILENT WINGS®



Virtually inaudible cooling for your system »

The fan quality is one of the main factors contributing to the noise level of your PC. As the German specialist for outstandingly quiet computer components we have more than 10 years of experience in the field of noise reduction. That knowledge allows us to produce the quietest fans on the market.

Look for the +SilentWings Logo. It indicates our products which include our state-of-the-art fan technology and enables the perfect balance between superior cooling and serenity.

*Mounting point of 180mm radiator is c/c 154mm