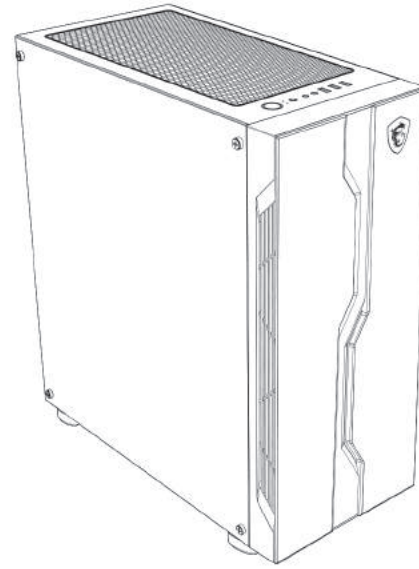




MAG
VAMPIRIC 010X
VAMPIRIC 010
VAMPIRIC 010M
VAMPIRIC 011C

Feature / 產品特色



- ARGB Fan Included
(MAG VAMPIRIC 010X/ 010 only)
- 1 to 4 LED HUB
(MAG VAMPIRIC 010X only)
- Magnetic Filter
- 4mm Tempered Glass
- Optimized Air Flow

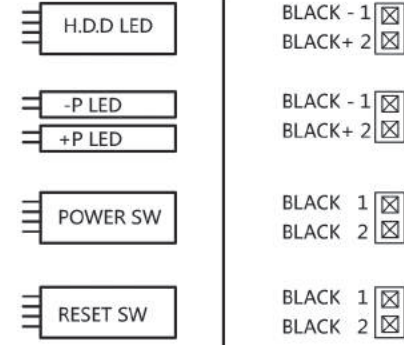
Specification / 產品規格

	VAMPIRIC 010X	VAMPIRIC 010	VAMPIRIC 010M	VAMPIRIC 011C
Case Dimensions	420(D) x 210(W) x 475(H) mm / 16.54(D) x 8.27(W) x 18.70(H) inch			
Motherboard Support	ATX / mATX / Mini-ITX			
Radiator Support	120 / 140 / 240 / 280 / 360mm			
Driver Bays				
3.5" Included		2		
2.5" Included		2		
IO Port				
USB 3.0		1		
USB 2.0		2		
Audio / Mic		●		
LED SW Button		●		
Fan				
Fan Support		Top	3	
		Front	3	
		Rear	1	
Pre-Installed Fan	Rear	1 x 120mm ARGB Fan	1 x 120mm RGB Fan	
Light		ARGB	RGB	
Others				
MSI Mystic Light Support		● (JRAINBOW)	—	
LED Effects Control	MSI Mystic light or the front panel button		the front panel button	
1 to 4 ARGB Hub included	●	—	—	

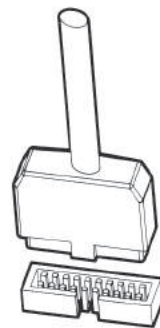
Accessories / 配件

配件名称	规格	备注
	32 x 6mm (2)	Side Panel (Steel) 鐵側板使用
	32 x 6mm (4)	Side Panel 全透明側板使用
	32 x 6mm (6)	PSU/ Graphics Card 電源供應器、顯示卡使用
	W-03B(20)	Motherboard 主機板使用
	W-04B(4)	SSD / HDD 硬碟安裝使用
	W-05(3)	Motherboard Stud 主機板螺柱
	L159MM(5)	Cable Management 理線使用

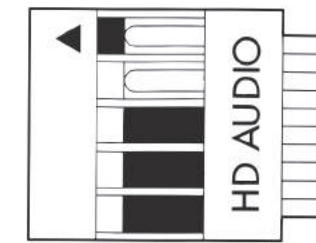
Cable Connection / 線材連結說明



Connect Power/Reset and LED
 連接Power/Reset與LED燈號線

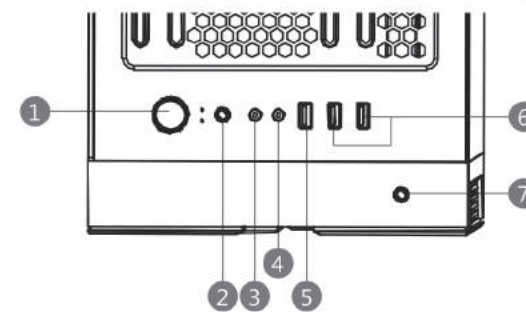


Connect USB 3.0
 安裝USB 3.0端口



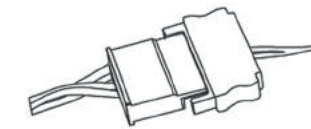
Connect HD AUDIO
 連結前置HD AUDIO

Front Panel / 前面板說明



- 1. Power ON/OFF / 電源開關
- 2. Reset / 重啟開關
- 3. MIC / 麥克風輸入
- 4. AUDIO / 聲音輸出
- 5. USB 3.0
- 6. USB 2.0
- 7. LED Control / LED控制鍵

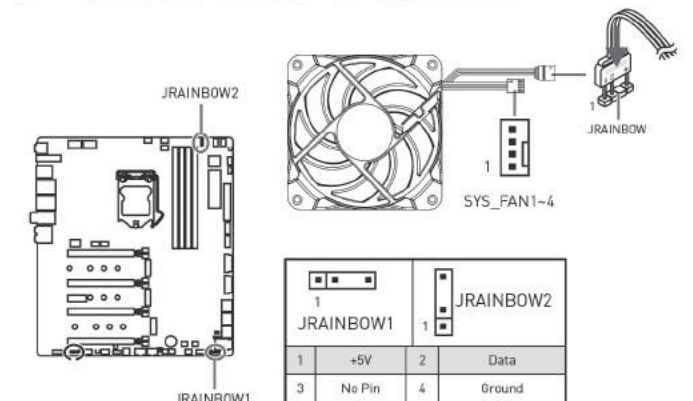
Connect Front LED / 連結前面板LED



Connect Front LED / 連接前置幻彩控制板

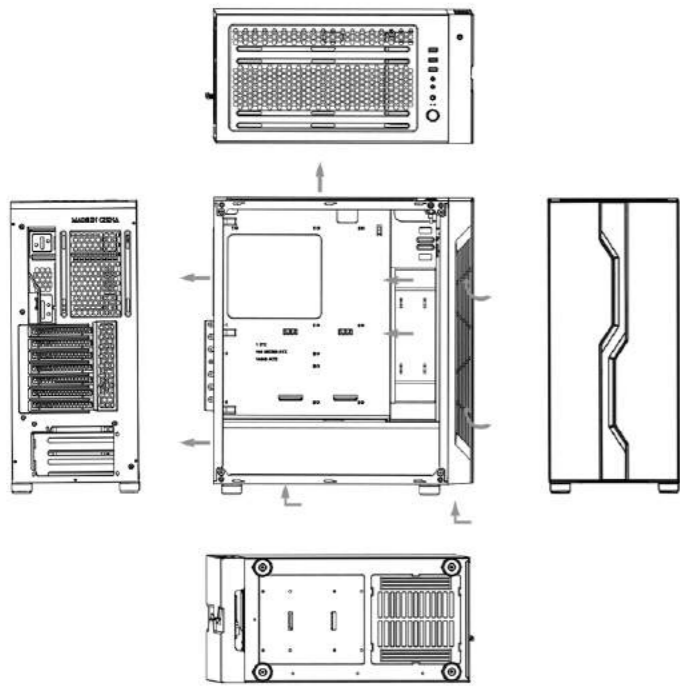
Connect the Front LED power cable to PSU.
 將前置幻彩燈光供電接口與電源供應器進行連結

Connect PWM Mode and Addressable RGB LED to motherboard.
 將PWM模式和幻彩燈光風扇接口與主機板進行連結

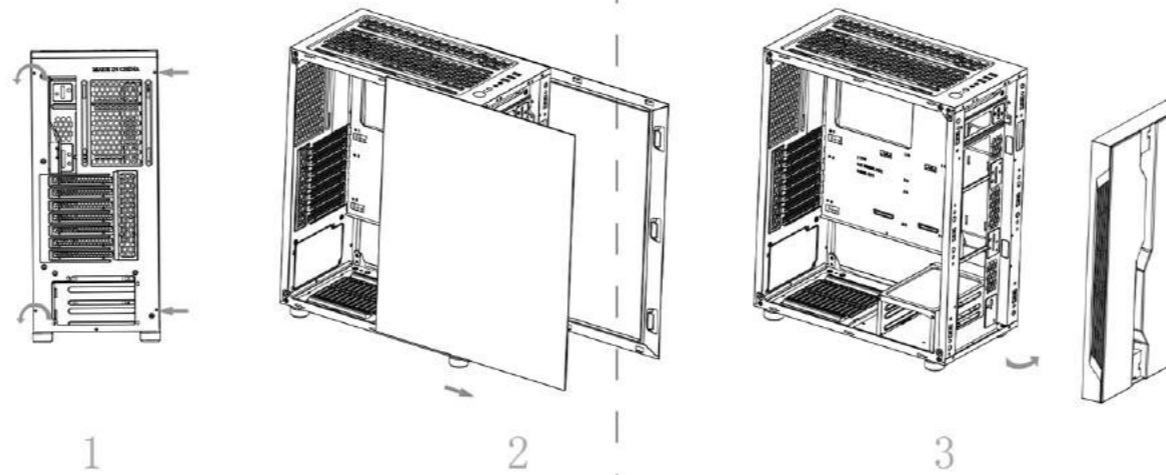


* Please refer to your motherboard manual for details.

Cooling Suggestion [散熱建議]



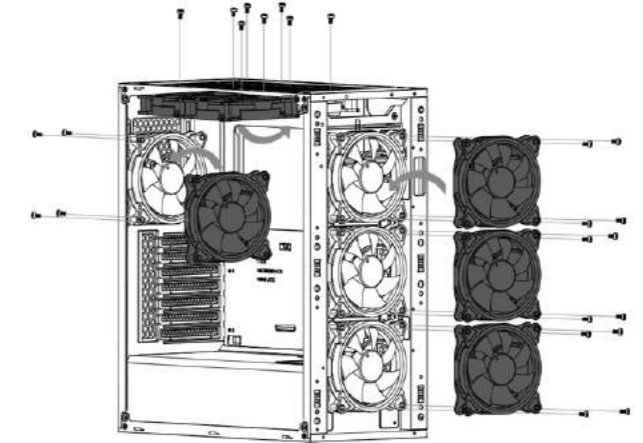
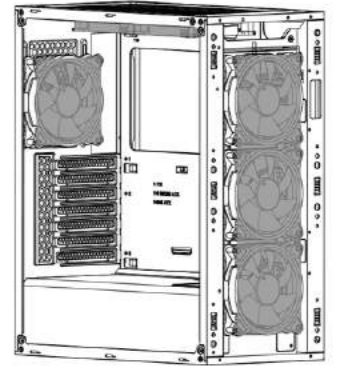
Remove Front Bezel [移除前面板]



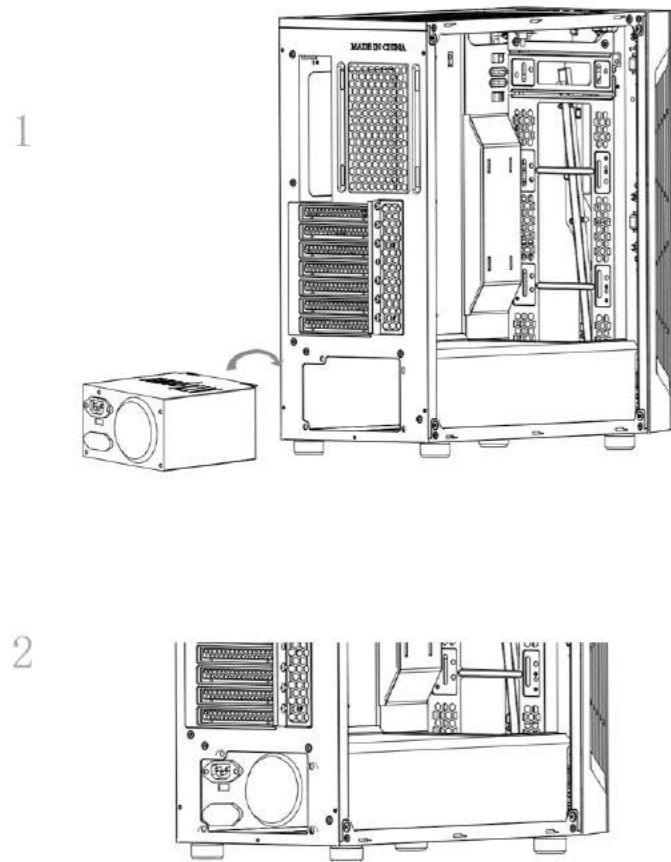
Cooling Fan Installation [風扇安裝]

Cooling System:
Front: 3x120mm or 3x140mm
Top: 2x120mm or 2x140mm
Rear: 1x120mm

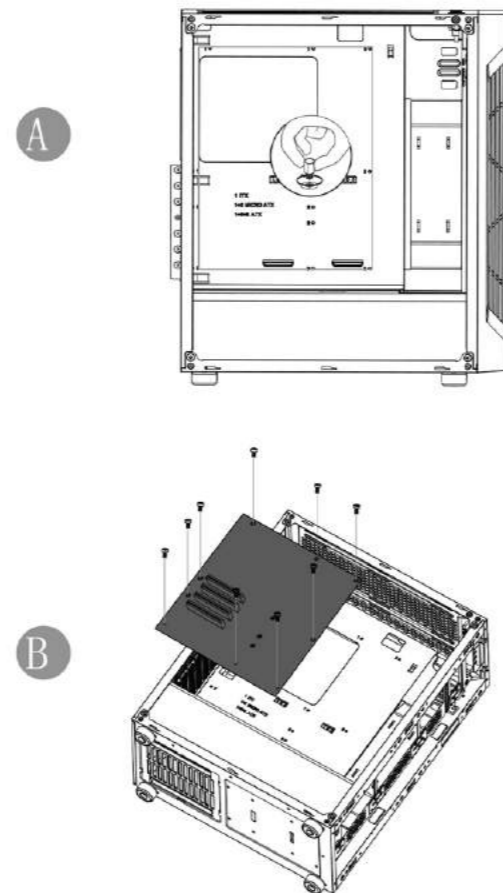
散熱風扇位:
前置:120mm風扇x3 或140mm風扇x3
頂蓋:120mm風扇x2 或140mm風扇x2
後置:120mm風扇x1



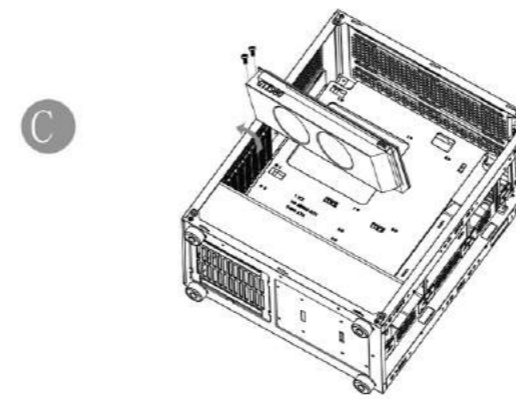
PSU Installation [電源供應器安裝]



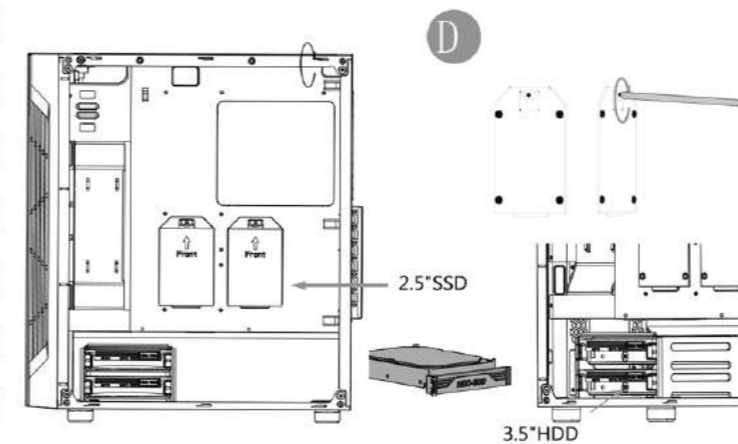
Motherboard Installation [主機板安裝]



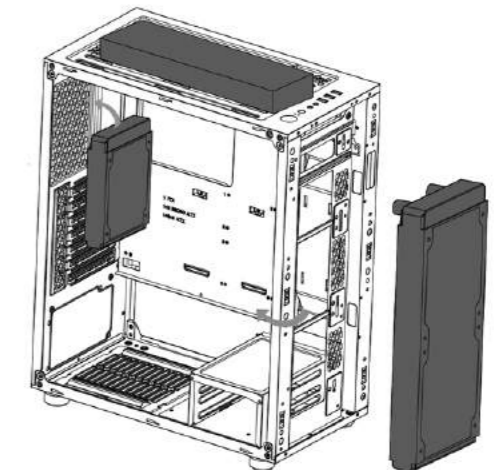
VGA Installation [顯示卡安裝]



HDD/SSD Installation [硬碟安裝]



Radiator Installation [水冷排系統安裝]



Specifications are subject to change without notice.
規格若有變更,恕不另行通知