



# Alphacool Eisbaer

Eisbaer 120



Eisbaer 240



Eisbaer 360



Eisbaer 280



Eisbaer Solo



## Technical Data

		Eisbaer 120	Eisbaer 240	Eisbaer 360	Eisbaer 280	Eisbaer Solo	
Radiator	Size:	120mm	240mm	360mm	280mm		
	Dimensions (LxBxH):	157 x 124 x 45mm	278 x 124 x 30mm	400 x 124 x 30mm	316 x 144 x 30mm		
	Material:	Copper					
	Pressure tested:	1,5 bar					
	Fins per inch:	16					
	Connection threads:	2x G1/4"					
Fan	Name:	Eiswind 12			Eiswind 14		
	Bearing:	Sleeve Bearing			Sleeve Bearing		
	Voltage:	12V			12V		
	Power connection:	4-Pin PWM			3-Pin		
	Rated speed:	550 - 1700 rpm (+/- 10%)			1100 (+/- 10%)		
	Airflow:	63,85 cfm / 108m <sup>3</sup> /h			62,31 cfm / 106m <sup>3</sup> /h		
	Static pressure:	1,66 mmH <sup>2</sup> O			1,55 mmH <sup>2</sup> O		
	Noise emission:	29 dB(A)			29,4 dB(A)		
Pump/Reservoir/CPU-Cooler	Dimensions (LxBxH):	66 x 66 x 67,5mm					
	Capacity:	ca. 60ml					
	Bottom plate:	Copper - 50 x 50 x 3mm					
	Threds (In/Out):	G1/4"					
	Socket Compatibility:	Intel: 775/1156/1155/1150/1151/1366/2011/2011-3/604/771; AMD: AM2/AM2+/AM3/AM3+/FM1/FM2/FM2+/G34/C32					
	Fillport:	G1/4"					
	Rated speed:	2600 rpm					
	Voltage range:	7- 13,5V DC					
	Power consumption:	4W					
	Max. flow rate:	70L/h					
Max. head:	0,85m						

		Eisbaer 120	Eisbaer 240	Eisbaer 360	Eisbaer 280	Eisbaer Solo
Quick coupling	Dimensions (LxD):	83 x 28mm				
	Tubing size:	1 1/8mm				
	Material:	Nylon				
Tubing	Lenght:	320mm incl. Anti-kinking spring				
	Size:	1 1/8mm				
	Material:	PVC				

## Description

With the “Eisbaer”, Alphacool is fundamentally revolutionizing the AIO cooler market. Where traditional AIO CPU-coolers are disposable products which are neither upgradeable nor refillable, the Alphacool “Eisbaer” is modularly built and can be upgraded, rebuilt or refilled at any time. This means that the “Eisbaer” is not only an AIO, but also fully built on classic water cooling components. That means it is quieter and more powerful than the average AIO solution.

### The individual components:

#### Radiator

Alphacool depends on a radiator made of pure copper. The base of the radiator is the popular Alphacool NexXxoS series, which is well-loved around the world. The pure copper construction raises the cooling performance enormously compared to the usual aluminium radiators used in classic AIOs. The slight thickness of the fins ensures enormous cooling power in fans with low rotational speed. This ensures that the performance of the “Eisbaer” when adjusting the fans down decreases much more slowly than in radiators with higher fin thickness.

#### Tubing

The flexible PVC hoses make installing the “Eisbaer” easy. These hoses are easier to arrange and move into the right position. So the hoses don’t bend and stop the flow of the water, both hoses have been fitted with anti-kink springs. The 1 1/8 mm size is also a standard in the water cooling field, alongside the 13/10 and 16/10.

#### Quick-lock closure

The “Eisbaer” was designed with expandability directly in mind. This is why you’ll find a quick-lock closure on one of the hoses. This quick-lock mechanism is compatible with Alphacool HF quick-lock closures (1010383, 1010394, 1010395, 1010442), with which the circuit can easily be expanded to include anything from a radiator to a graphics card cooler. Furthermore, the “Eisbaer” is compatible with the upcoming Alphacool GPX-Pro graphics card AIO, which will use identical quick-lock closures.

#### Fans

The “Eiswind” fans were developed specially for radiators and generate a high static pressure in order to push cool air through the fan blades. Both fans are steadily running by 1100 RPM. A PWM Y-adapter is included with the “Eisbaer” so that both fans can be controlled by the motherboard or a separate fan control with a PWM connection.

#### Connectors

All connectors are based on the classic G1/4 inch thread, the standard thread in the water cooling field. This way, all attachments can be switched out for others any time as desired. This also means that, for example, you could later decide to switch to thicker hoses or even Hard-Tubes and set your system uniquely apart.

All these features make the “Eisbaer” cooler into something extraordinary. Its enhanced appearance from the illuminated logo and the illuminated reservoir, which also contains the pump, lets the interior of your PC shine in a whole new way. The soft-touch surface of the pump case is a further visual highlight.

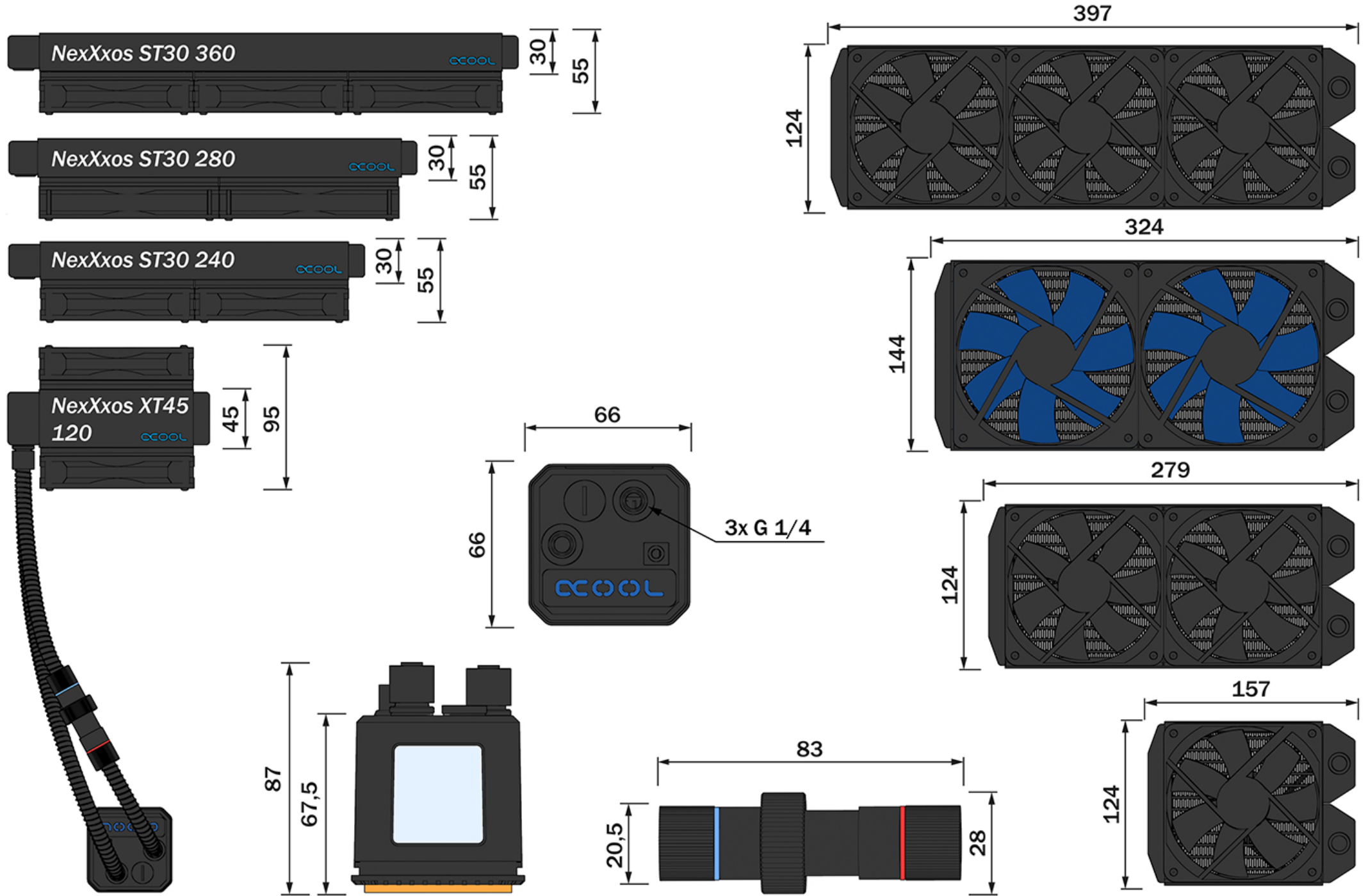
With the “Eisbaer”, you get an all-around perfect product that is not only extremely high-powered but also works very quietly.

#### Pump

The basis of the pumps is the Alphacool DC-LT Ceramic Ultra Low Noise, also available separately. The pump runs extremely quietly and can be regulated to between 7 and 12V. It can also be regulated through the motherboard. If the “Eisbaer” is being run alone, the 7V setting will still have next to no performance loss, as shown in diverse test results. The insulated pump case further perfects the noise generation and ensures that vibrations are almost completely absorbed.

The smooth and shiny polished copper base of the cooler ensures optimal heat absorption and can relay the heat over the fine slit structure of the cooler to the water quickly and efficiently.

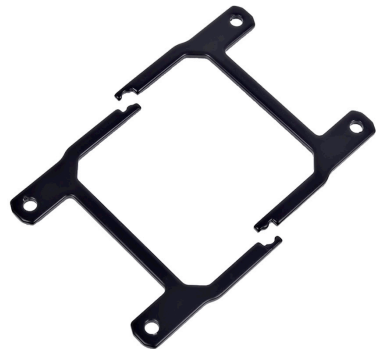
Technical drawing



## Other Information

Bezeichnung	Artikel No.	EAN Code	VPE	Dimension VP in mm	Weight in kg
Alphacool Eisbaer 120	11284	4250197112840	4 pcs	345 x 260 x 140	2,54
Alphacool Eisbaer 240	11285	4250197112857	9 pcs	335 x 240 x 140	2,34
Alphacool Eisbaer 360	11286	4250197112864	4 pcs	435 x 260 x 140	3,02
Alphacool Eisbaer 280	11287	4250197112871		370 x 260 x 160	2,68
Alphacool Eisbaer Solo	12511	4250197125116	30 pcs	145 x 127 x 100	0,54

## Optional accessories



**Alphacool Eisbaer Intel mounting kit socket 201 I-3 narrow ILM**  
 Art. No.: 12531  
 EAN Code: 4250197125314



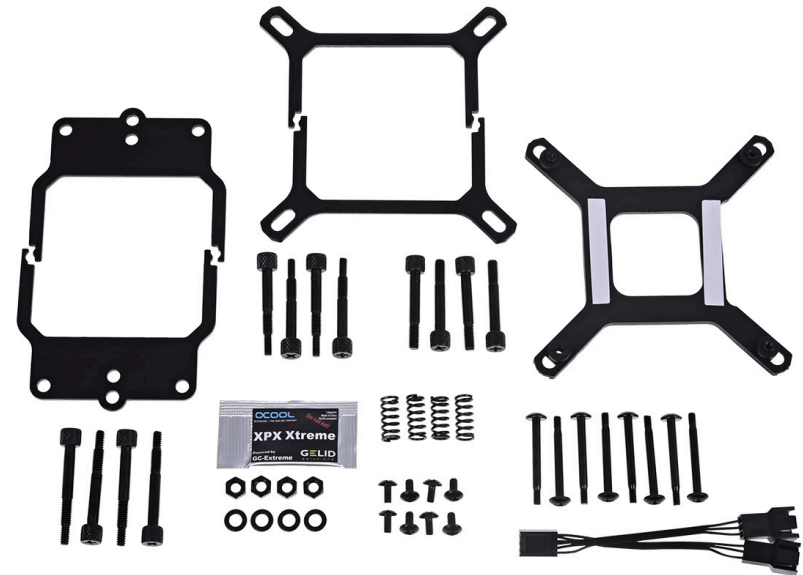
**Alphacool Eisbaer Quick-Connect Extension Kit**  
 Art. No.: 12542  
 EAN Code: 4250197125420

Consisting of:  
 1x 250ml Coolant in special bottle with filling accelerator  
 2x PVC 11/8mm Tubing incl. anti-kinking spring  
 1x Quick release connector kit 11/8mm



**Alphacool HF quick release connector kit 11/8mm**  
 Art. No.: 17359  
 EAN Code: 4250197173599

## Mounting material / scope of delivery



- Alphacool Eisbaer
- Eiswind Fan
- Intel backplate
- Intel bracket
- AMD bracket
- PWM adapter
- Mounting material
- Thermal grease

## Extensibility

